

IPC4-ARM-WALL

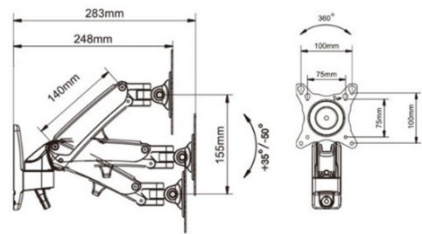
Type WALLbevestiging

| Productcode | Draagkracht | Minimale en maximale lengte | Hoogte afstand | Openen | Horizontale rotatie |
|--------------------|-------------|-----------------------------|----------------|-----------|---------------------|
| IPC4-ARM-WALL-F120 | 2-7 kg | 85-285 mm | 130 mm | +50°/-35° | 360° |
| IPC4-ARM-WALL-F150 | 2-7 kg | 85-385 mm | 130 mm | +50°/-35° | 360° |
| IPC4-ARM-WALL-M150 | 3-12kg | 100-395 mm | 155 mm | +50°/-35° | 360° |
| IPC4-ARM-WALL-F425 | 3-12kg | 95-380 mm | 250 mm | +85°/-30° | 360° |

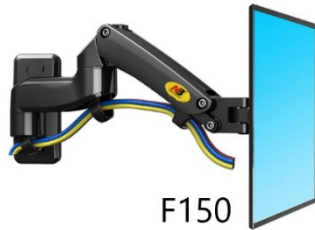
IPC4-ARM-WALL-F120



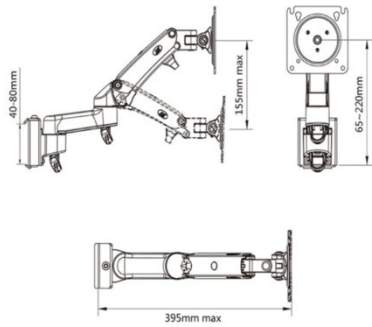
F120



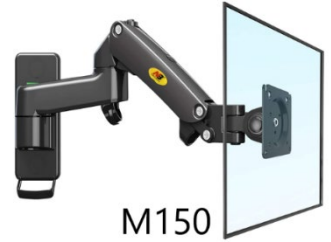
IPC4-ARM-WALL-F150



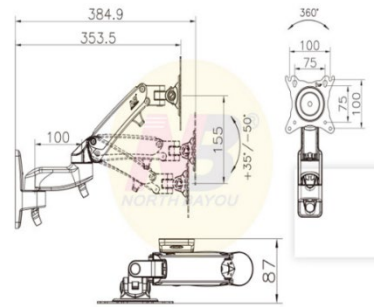
F150



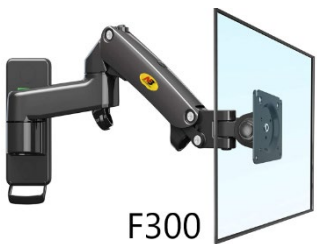
IPC4-ARM-WALL-M150



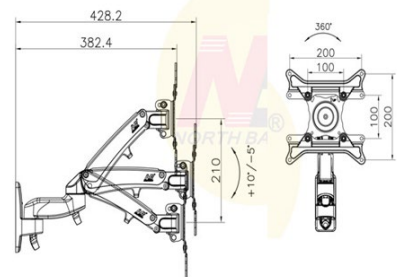
M150



IPC4-ARM-WALL-F300



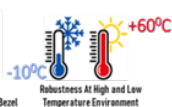
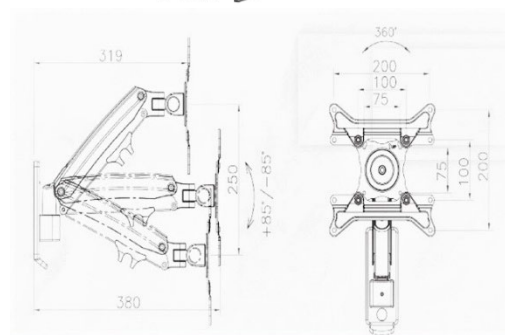
F300



IPC4-ARM-WALL-F425



F425



IPC4-ARM-BUREAU Desktop Behandelingsapparaat

